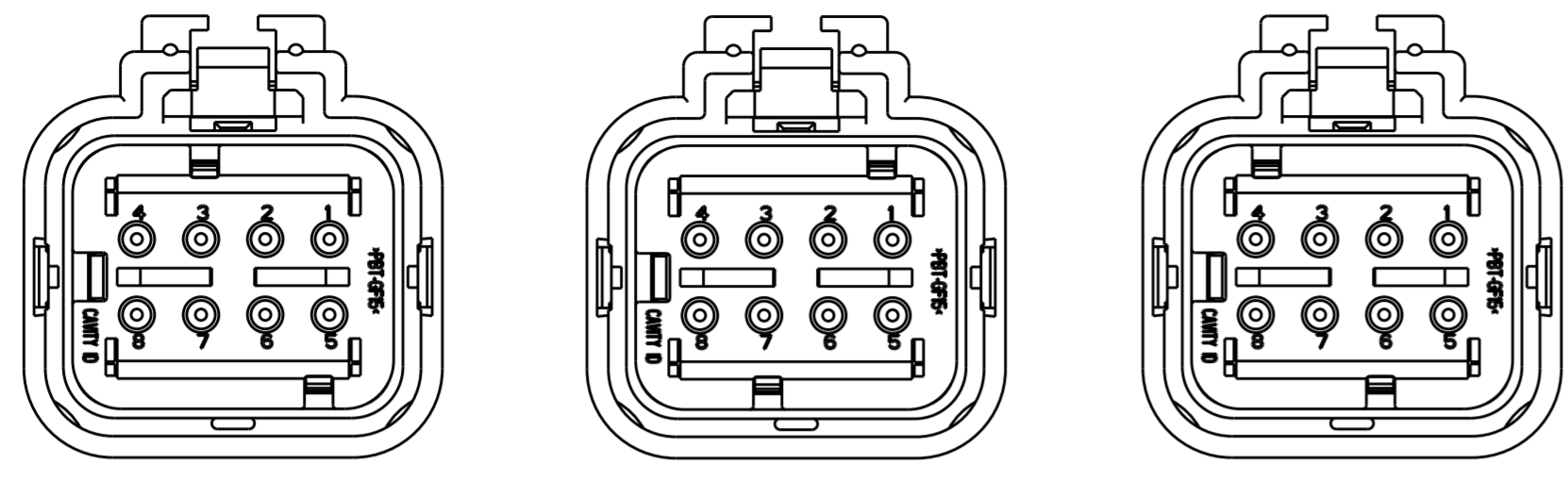


THIS DRAWING IS UNPUBLISHED. RELEASED FOR PUBLICATION 20  
 © COPYRIGHT 20 BY - ALL RIGHTS RESERVED.

REVISIONS				
P	LTR	DESCRIPTION	DATE	APVD
D	I	REVISED PER ECO-11-005294	29APR2011	RK HMR
E		REVISED PER ECO-13-019231	09DEC2013	DR RB

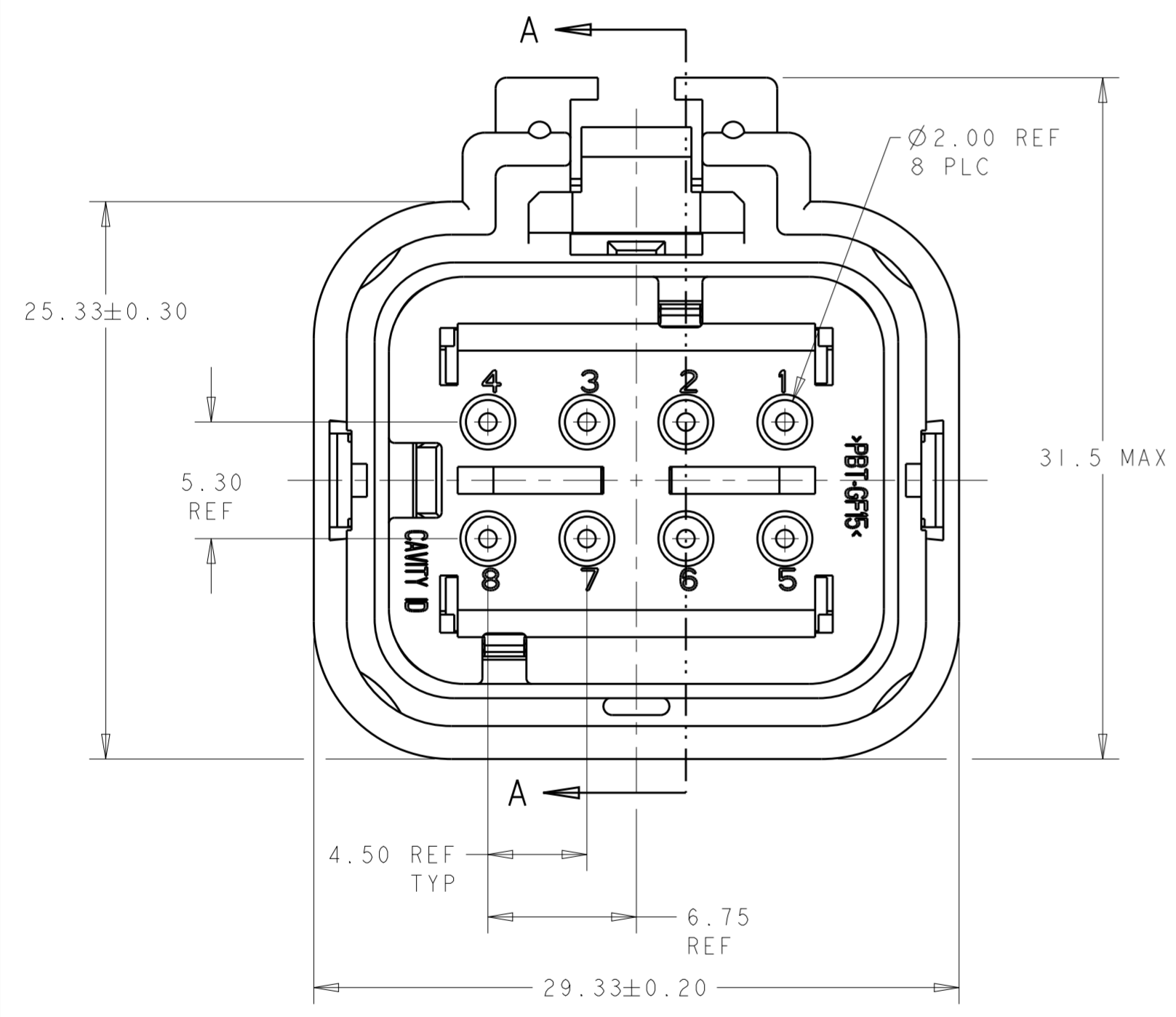


776532-2  
(GRAY TPA)  
SCALE 2:1

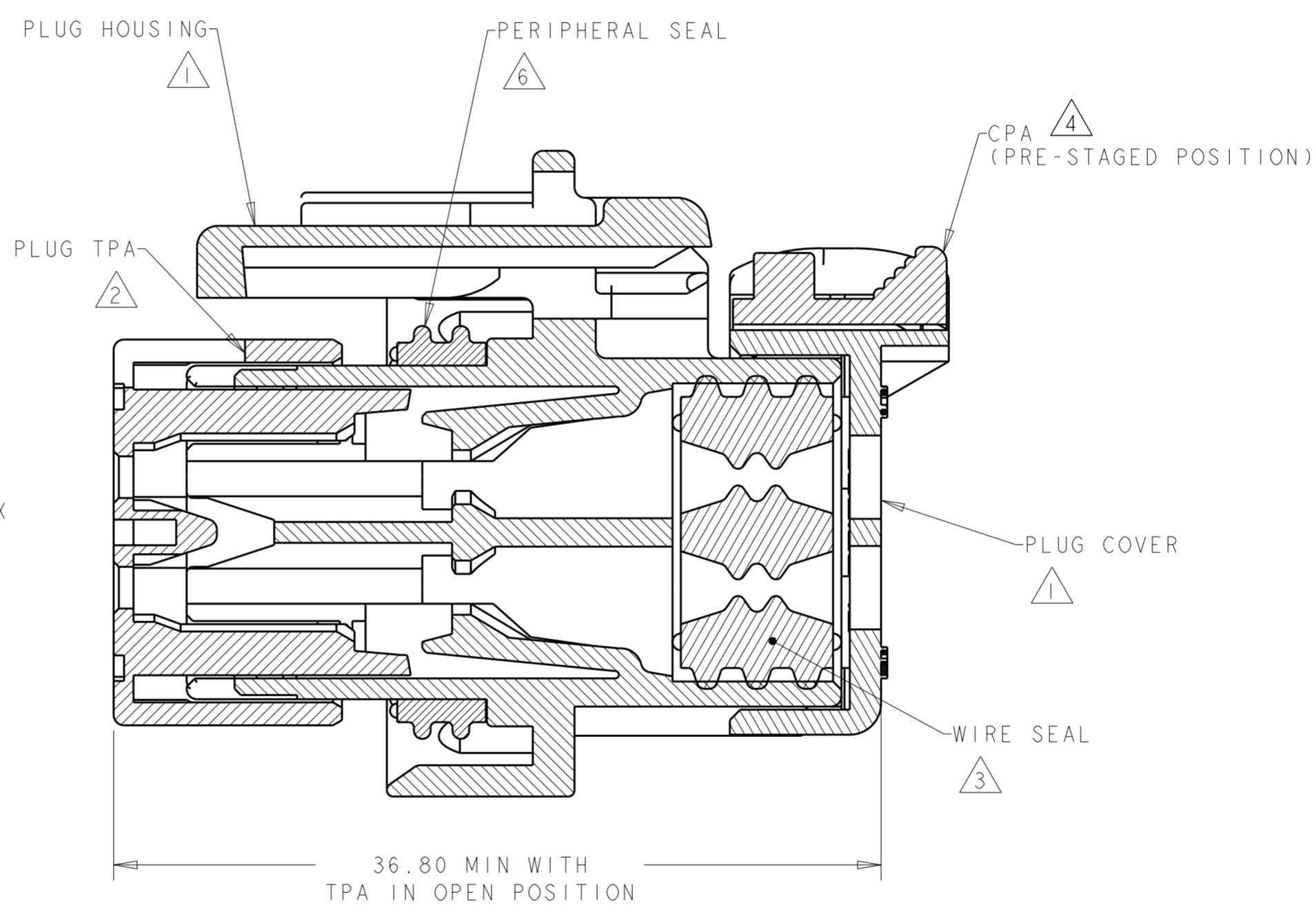
776532-3  
(YELLOW TPA)  
SCALE 2:1

776532-4  
(GREEN TPA)  
SCALE 2:1

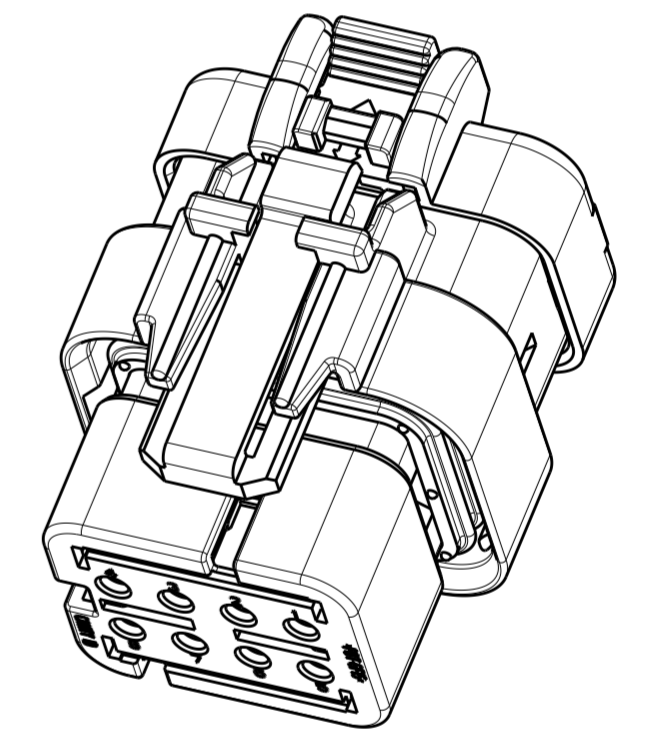
- ① MATERIAL: 15% GLASS FILLED THERMOPLASTIC  
COLOR: BLACK
- ② MATERIAL: 15% GLASS FILLED THERMOPLASTIC  
COLOR: (SEE TABLE)
- ③ MATERIAL: SILICONE  
COLOR: RUST
- ④ MATERIAL: 15% GLASS FILLED THERMOPLASTIC  
COLOR: RED
- 5. RECOMMENDED WIRE DIAMETER RANGE IS 1.30 TO 2.54mm.
- ⑥ MATERIAL: SILICONE  
COLOR: TAN



776532-1 SHOWN



SECTION A-A



SCALE 2:1

GREEN	776532-4
YELLOW	776532-3
GRAY	776532-2
RED	776532-1
TPA COLOR	PART NUMBER

THIS DRAWING IS A CONTROLLED DOCUMENT.		DWN B. SIMPSON 05NOV2002	TE Connectivity	
DIMENSIONS: mm		CHK D. KLEIN 05NOV2002		
TOLERANCES UNLESS OTHERWISE SPECIFIED:		APVD D. KLEIN 05NOV2002	NAME PLUG ASSEMBLY, 8 POSITION, DUAL ROW, REDUCED DIA WIRE SEAL, AMPSEAL 16	
0 PLC	±	PRODUCT SPEC	SIZE	CAGE CODE
1 PLC	±	108-2184	A2	-
2 PLC	±	APPLICATION SPEC	DRAWING NO G-776532	
3 PLC	±	114-13065	RESTRICTED TO	
4 PLC	±	WEIGHT	-	
ANGLES	±	16±1g	-	
FINISH	-	Customer Drawing	SCALE	SHEET
-	-		4:1	OF
				REV
				E